

EOS4

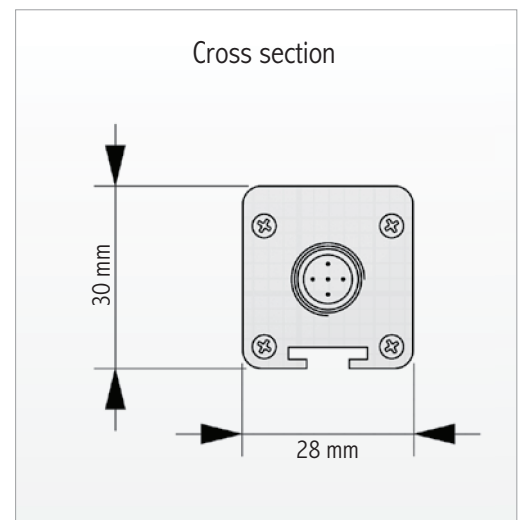
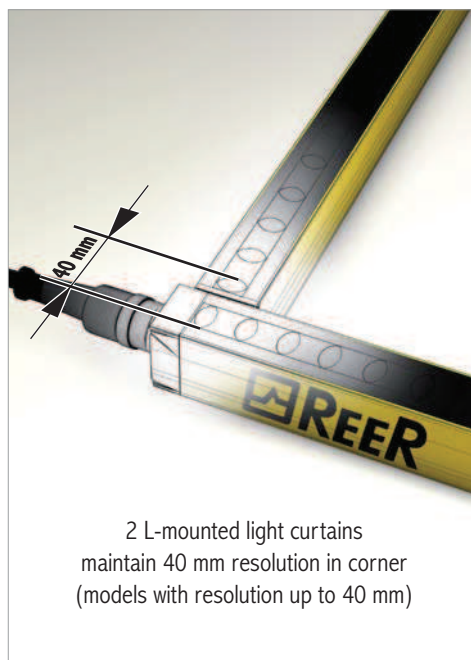
EOS4 is a compact Type 4 light curtain with competitive performance and innovative features.

Its features include:

- Minimal cross section - 28 x 30 mm.
- No blind area on one side:
position of first beam ensures that the sensitive area extends to end of the light curtain.
- The solution with two L-mounted light curtains, e.g. Master-Slave, maintains 40 mm resolution (hand detection) in corner (models with resolution up to 40 mm).
- Minimal blind area on connector side.
- Easy connection and installation thanks to the M12 connectors and the use of unshielded cables up to 100 m.
- Integrated safety functions, including self-monitoring of static outputs, control of external contactors (EDM) and automatic/manual selectable Restart.
- Exceptional mechanical and electrical robustness are the result of extensive experience gained hands-on with all kinds of applications.
- Operating temperature range -10 to 55 °C.
- Protection rate: to IP 65 and IP 67 at the same time
High resistance to infiltration by dust and liquids in a highly compact light curtain.
- Models Master/Slave for cascade connection of two or three light curtains.
- 2 safety PNP static outputs.

Special versions with IP 69K watertight enclosure (WTF and WTHF), also suitable for Food & Beverage industry, available.

EOS4 light curtains may be connected to the dedicated safety interfaces series AD SR, or directly to contactors actuated and controlled by the light curtain, or to MOSAIC or to suitable commercial safety modules or safety PLCs.



Safety level:
TYPE 4
SIL 3 – SILCL 3 PL e – Cat. 4



THE EOS4 RANGE

EOS4 A

- Protected height range 160 to 1510 mm
- 7 types of detection:
 - Resolution 14 mm for finger detection
 - Resolution 20 - 30 - 40 mm for hand detection
 - Resolution 50 - 90 mm for detection of the body in a dangerous area
 - 2 - 3 - 4 beams for detection of the body in access monitoring
- Max range 12 m and 20 m for H models (6 m for 14 mm resolution)
- 2 safety static outputs PNP with auto-test protected against short circuits and overloads
- Automatic Start/Restart
- M12, 5-pole connectors.

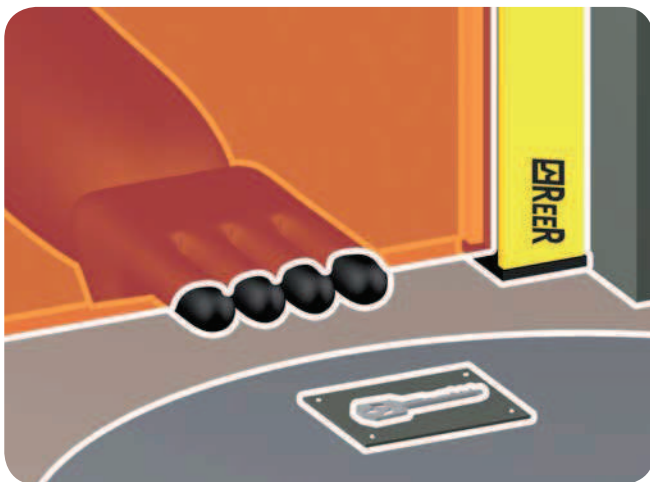
The ideal light curtain for straightforward interfacing with safety modules or safety PLCs.

EOS4 X

- Protected height range 160 to 1510 mm
- 7 types of detection:
 - Resolution 14 mm for finger detection
 - Resolution 20 - 30 - 40 mm for hand detection
 - Resolution 50 - 90 mm for detection of the body in a dangerous area
 - 2 - 3 - 4 beams for detection of the body in access monitoring
- Max range 12 m and 20 m for H models (6 m for 14 mm resolution)
- M12, 5-pole connector for emitter and M12, 8-pole for receiver
- Integrated, selectable manual or automatic Start/Restart
- Feedback input for external relay monitoring (EDM)
- Master and Slave models for series connection of two or three light curtains regardless of height or resolution.

An effective light curtain for directly controlling and monitoring machine circuits with no need of external safety modules.

Master/Slave models are also ideal for series connection of several light curtains and combined detection of hand and body or the protection of two different sides of a machine.



The protected area extends until the light curtain end maintaining the resolution



The resolution is maintained (up to 40 mm) in the junction between the 2 protected areas